

## STATE INDICATION LAMPS

The light situated at the bottom of the display shows the state of the controller:

Lamp.	State	N° Relay	Contactcs
<b>AUTO</b>	Zone selected on Automatic		
<b>OFF</b>	Zone selected Disabled (off)		
<b>1</b>	Zone 1 selected		
<b>2</b>	Zone 2 selected		
<b>3</b>	Zone 3 selected		
<b>4</b>	Zone 4 selected		
<b>MIN</b>	Minimum Alarm On	1/2/3/4 On	3-4 / 5-6 / 7-8 / 9-10
<b>MAX</b>	Maximum Alarm On	1/2/3/4 On	3-4 / 5-6 / 7-8 / 9-10
<b>MIN</b>	Minimum Alarm Or	6 (HPAL) *	3-4-5 *
<b>MAX</b>	Maximum Alarm Or	7 (HPAL) *	6-7-8 *

Lamp 1-2-3-4 flashing if zone not viewing is in alarm condition.  
Other alarm contacts available only with **HPAL** slot option.

## INSTALLATION

### How to connect the sensors

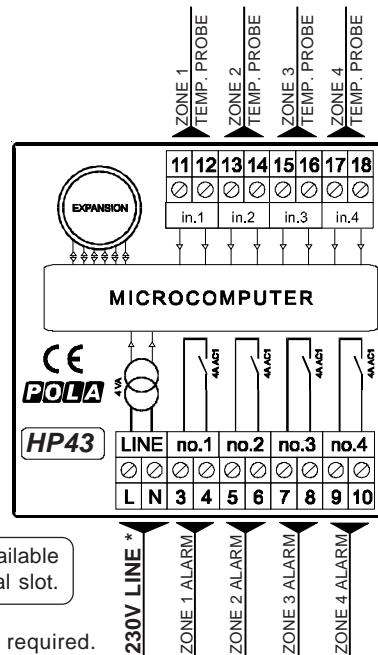
Connect the provided sensor as shown in the diagram. **For remote connections use a standard 0.5-square millimeter two-pole wire**, taking great care over the connections, by insulating and sealing the joins carefully. **-O.C.-** is displayed when the temperature sensor wiring is open, **-S.C.-** is displayed when the temperature sensor wiring is short circuit.

### How to connect the line

Connect line on terminals **L-N**; protect supply with adequate fuse

### How to connect the contacts

Connect terminals on the terminal block (contacts up to 4AMP.AC1)



Or Alarm output available  
onli with **HPAL** optional slot.

\*Other power voltage if you required.

As it company policy to continually improve the products the Manufacturers reserve the right to make any modifications thereto without prior notice. They cannot be held liable for any damage due to malfunction.

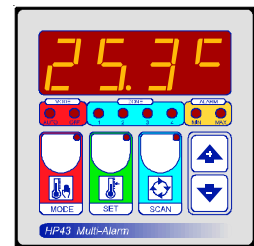


# HP43

SL 2.1

Quad-zone alarm

Handbook



## MAIN SETTING (Run mode)

### AUTO/OFF SELECTION.

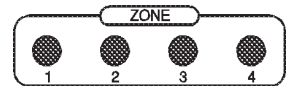
Press **SCAN** several time to move to Zone required (Zone light comes on).



Press **MODE** (key lamp flashes):

This message referring to the set condition, will be displayed (**Auto**= Automatic, **-oF-** = disabled).

Press + or - to modify, press **MODE** to escape.



### SET MODE.



Press **SCAN** several times to move to the zone to program (Zone light comes on).

Press **SET** (key lamp flashes):

This message will be displayed instead of the ° Set Minimum Alarm Temperature value .

Press + or - to modify, press **SET** to confirm.



EXAMPLE ZONE 1

At this point this message will be displayed instead of the ° Set Maximum Temperature value .

Press + or - to modify, press **SET** to escape.



EXAMPLE ZONE 1

### INPUT VIEW.



Press **SCAN** several times to move to the Zone to display (Zone light comes on).

The display will show the value measured by the temperature sensor of the selected area.



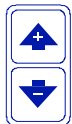
EXAMPLE VIEWING °C TEMPERAT.

If you press **SCAN** for more than one second, it is automatically activated (light on).

Press **SCAN** to again to stop automatic scanning.

Scanning time is programmed in **COST**.

## COS<sub>t</sub> PROGRAMMING (System constants)



These settings refer to the operation mode of the system and must be made on initial startup. Press - / + at the same time for at least one second: the message **C.O.S.t.** will be displayed.

Press then repeatedly **SCAN** until the message regarding the chosen variable is displayed (see table below) : value of variable and message will be displayed.

Press + or - to set a new value and then press **SCAN** to confirm.

The next system constant will then appear.

You can press **SCAN** for at least 2 seconds to exit and return to the Run Mode.



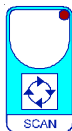
Mess.	Value	Meaning	Note
<b>Inpu</b>	=4	Numbers of Zones (temperature probes) connected	
<b>SCAN</b>	2.0"	Scanning time in seconds	
<b>tEnP</b>	=1	Temperature representation (=1 °C, =2 °F)	*1)
<b>Ad.t1</b>	0.0 °	° temperature 1 sensor correction (+ or -)	*2)
<b>Ad.t2</b>	0.0 °	° temperature 2 sensor correction (+ or -)	*2)
<b>Ad.t3</b>	0.0 °	° temperature 3 sensor correction (+ or -)	*2)
<b>Ad.t4</b>	0.0 °	° temperature 4 sensor correction (+ or -)	*2)

\*1) **tEnP = 0** : °C Temperature range.

**tEnP = 1** ; °F Temperature range.

\*2) You can correct the readings on the various sensors (+ or -).

## PRESET PROGRAMS



This processor is already programmed with the following (variable) settings.

To return to these settings at any time you may:

Power off the processor, press **ALARM** key and keep it pressed giving power on: **boot** message will be displayed (release now **MAX VENT** key).

**AL\_1/4 = 10.0° AL-1/4 = 40.0°**

The **COS<sub>t</sub>** values are shown in *COS<sub>t</sub> Promagaming*.

## MANUAL MODE



In some start-up conditions may be useful to work in "manual" mode:

Power off the processor, press + key and keep it pressed giving power on: **HAnd** message will be displayed (release now + key).

Push + until is displayed number required to be handed (see table *State indication lamps*) and push **SCAN** for activating relay.

Pushing again + for increase relay number previous relay is deactivated.

You can press **SCAN** key for a least two seconds to escape and return to the *Run Mode*.

## OPERATIVE DIAGRAMS

